



**REVERSE OSMOSIS
DRINKING WATER SYSTEM**



INSTALLATION GUIDE AND OWNER'S MANUAL



Congratulations on choosing a superior reverse osmosis unit for your tap!

This installation and owner's manual details the standard installation, care and maintenance, and general operating instructions for the QuadPro SST reverse osmosis system.

TABLE OF CONTENTS

Pre-Installation	3
Installation	5
Care & Maintenance	11
Troubleshooting	13
Additional Installation Configuration	14
Performance Data	15
Limited Warranty	18
Cartridge Replacement Checklist	19

PRE-INSTALLATION

The InterFlo QuadPro SST is a sophisticated, tankless reverse osmosis unit designed to provide drinking water on demand. The contents in the box includes everything that you will need to complete a standard, below-the-sink installation with the included dispensing e-faucet. Additionally, a pressure transducer has been included to accommodate installations for un-powered faucets. Installations that differ from the below-the-sink method are not covered in this guide, but are possible.

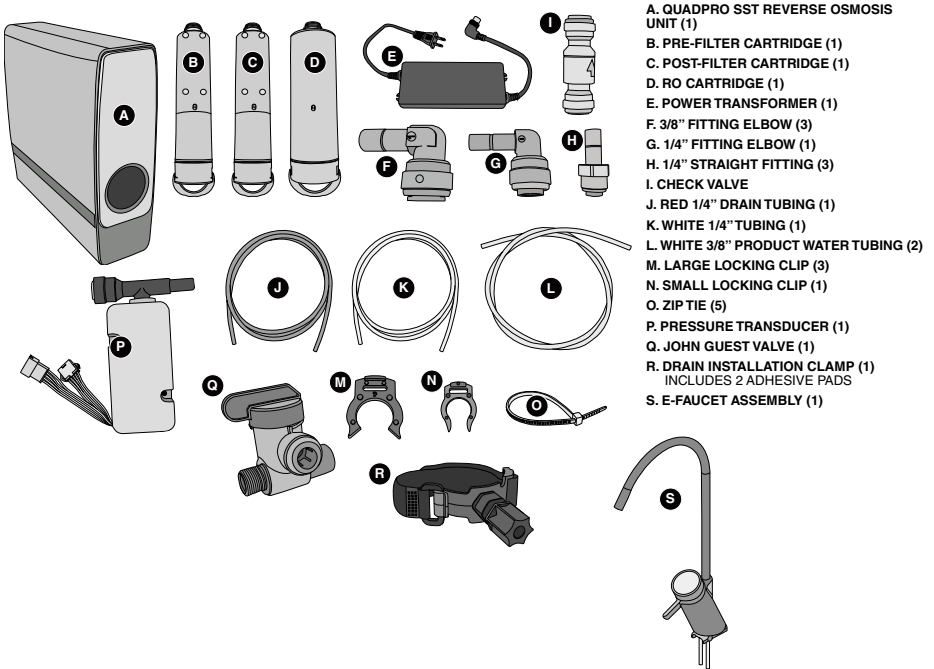
Please keep this guide for reference following installation.

Dealers and Installers: Read and reference installation instructions prior to installation.

Owners: Understand the filter replacement schedule and how to read the cartridge life indicator lights on the front of the unit.

BOX CONTENTS:

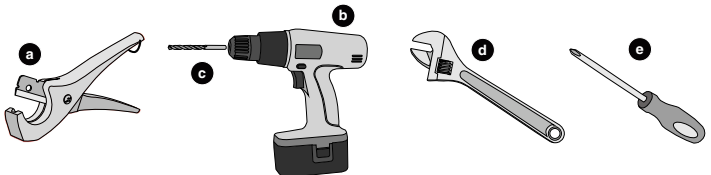
Ensure that all of the following components are included in the box prior to installation.



NECESSARY TOOLS:

The following tools are recommended for a standard installation.

- Tube Cutter (a)
- Battery Powered Drill (b)
- 1/4" Drill Bit (c)
- Adjustable Wrench (d)
- Phillips Screwdriver (e)
- Pencil
- 2.5mm Allen Wrench



PRE-INSTALLATION

SITE PREPARATION:

The QuadPro SST is designed for an under-sink installation. In cases of space limitations or if an under-sink installation is not possible, the unit may be installed in other locations. Some considerations when choosing a location include:

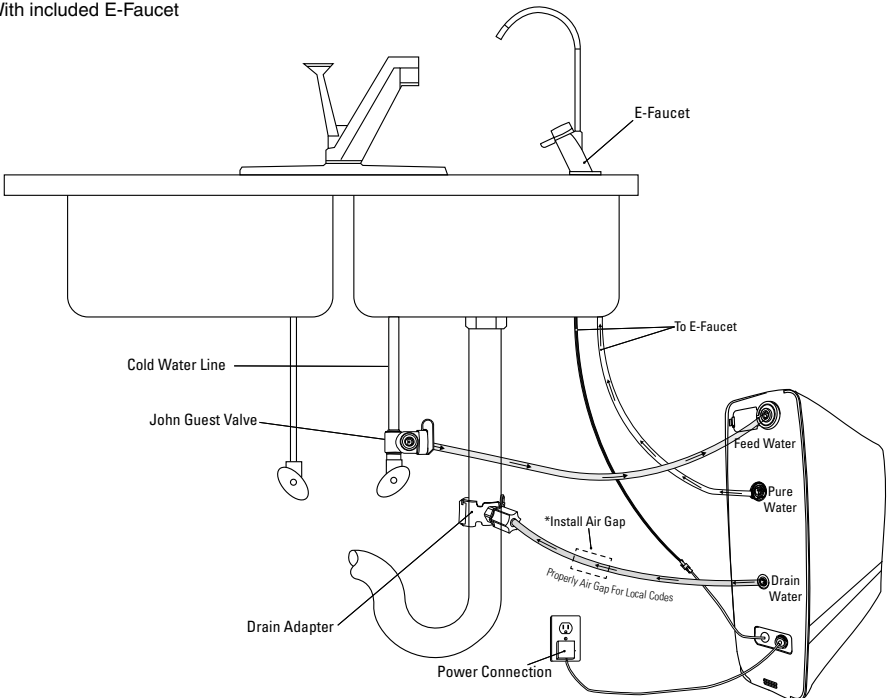
- Close proximity to a cold water tap line.
- Close proximity to a suitable drain.
- Accessibility to a non-switched outlet. The outlet must provide consistent power to activate when the faucet is turned on.
- Accessibility for filter cartridge replacements. Cartridges must be changed out on a regular schedule.
- The location must meet temperature requirements. Components must not be exposed to freezing temperatures.

PRECAUTIONS:

- Do not disassemble or modify the unit. If interior components need repair or maintenance, contact the manufacturer.
- Installation should only be carried out by authorized professionals.
- Do not place the unit near a heat source.
- Do not use power beyond the rated value of the machine. Only use the included AC power adapter.
- Keep the device unplugged when performing maintenance or installing.
- Do not install the unit outdoors or in direct sunlight.
- **DO NOT USE WITH WATER THAT IS MICROBIOLOGICALLY UNSAFE OR OF UNKNOWN QUALITY, WITHOUT ADEQUATE DISINFECTION BEFORE OR AFTER THE SYSTEM.**

INSTALLATION DIAGRAM:

With included E-Faucet

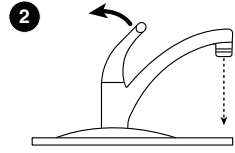
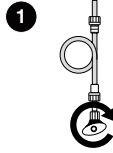


*Air gap must be two pipe diameters or 1 inch (25mm), whichever is larger.

INSTALLATION

1 SHUT OFF COLD WATER SUPPLY

Shut the cold water supply off beneath the sink by hand-rotating the shutoff handle clockwise until fully closed. Open the cold water tap to relieve water pressure.

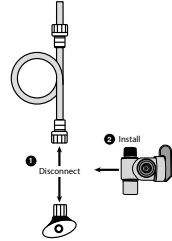


Remove four screws from bottom plate before installation.

2 DISCONNECT WATER SUPPLY AND ATTACH JOHN GUEST VALVE

Using an adjustable wrench, disconnect the cold water supply from the shutoff valve.

Attach the John Guest valve to the cold water shutoff in the orientation shown on the right. Once installed, attach the cold water line to the threaded top of the John Guest valve.

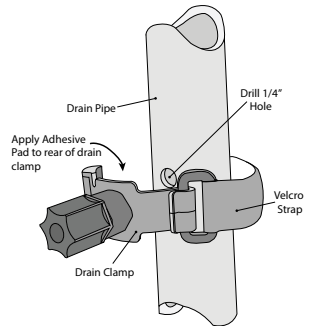


3 PREPARE DRAIN CLAMP

Choose a location on the sink's drain pipe that is unobstructed and above the drain trap. Ensure that this location is easy to access and can accommodate drilling. The waste water must go to drain through an anti-siphon air gap.

Mark a location on the drain pipe and, using a battery powered drill equipped with a 1/4" bit, drill a hole into the wall of the drain pipe. TAKE CARE TO NOT PENETRATE THE OPPOSITE SIDE OF THE PIPE.

Affix an adhesive pad over the rear of the outlet on the drain clamp assembly. Position the drain clamp assembly over the newly drilled hole and line up the hole with the clamp's outlet. When lined up properly, firmly press the clamp to the drain pipe and attach the Velcro strap tightly.



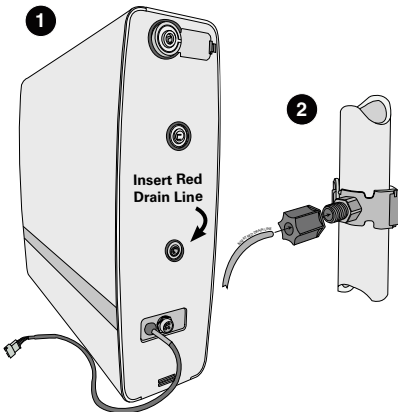
4 CONNECT DRAIN LINE

Insert one end of the 1/4" red drain line to the quick connect drain outlet on the rear of the QuadPro SST RO Unit. Run the other end to the drain clamp installed in step 3.

Using a tube cutter, cut the red drain line to length. Ensure that there is little to no sag in the drain line to prevent noise and thrashing while the unit is draining.

Remove the nut from the drain clamp and run the second end of the red drain line through the hole in the nut, into the installed drain clamp assembly, and into the hole cut into the drain pipe. Hand tighten the nut with the drain line back into the drain clamp assembly.

Install an air gap on the drain line. This must be installed between the system and the drain adapter. Air gap not included in this system.



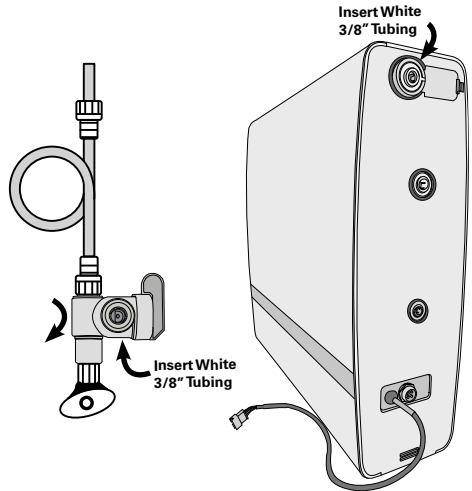
INSTALLATION

5 INSTALL FAUCET

If installing the e-faucet included with the QuadPro SST unit, proceed to **page 8** and return to step 6 once complete. If installing a different faucet, if replacing an existing RO unit and will be using the existing faucet, or if using the reverse osmosis unit for a different application than a dispensing faucet (such as an ice maker), please reference **page 9**.

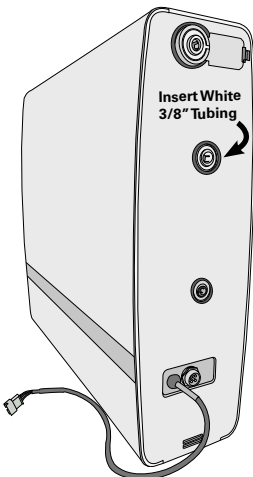
6 MAKE FEED WATER CONNECTION

Connect one end of a 3/8" White Product Water Tubing into the quick-connect port on the previously installed John Guest Valve. Run the other end of the tubing to the QuadPro SST reverse osmosis unit, approximately close to where its final position will be. Using a tube cutter, cut the tubing to a desired length. Use included fitting installation elbows as needed.



7 MAKE PRODUCT WATER CONNECTION

Connect one end of a 3/8" White Product Water Tubing into the connection on the faucet. Run the other end of the tubing to the QuadPro SST reverse osmosis unit, approximately close to where its final position will be. Using a tube cutter, cut the tubing to a desired length. Use fitting installation elbows as needed.



INSTALLATION

8 INSERT FILTRATION CARTRIDGES

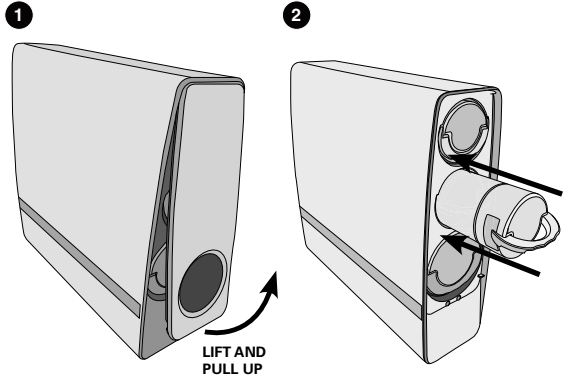
Remove the front faceplate of the unit by lifting up on the bottom of the magnetized faceplate connector and pulling upwards. Set aside the faceplate.

Insert the replacement cartridges into the unit in the order shown by pressing the cartridge until an audible “click” sound is heard. Ensure that the handle is in the “locked” position. Repeat with the remaining cartridges.

Top: Pre-Filter Cartridge

Middle: Post-Filter Cartridge

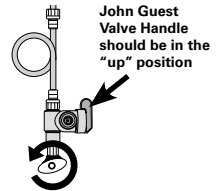
Bottom: RO Cartridge



NOTE: Filtration cartridges may come pre-installed in the unit. In this case, remove each cartridge and inspect for any packaging. Re-install each cartridge once it is confirmed that no packaging is present on the cartridge or in the cartridge port.

9 CONNECT TRANSFORMER AND TEST FOR LEAKS

Connect the power transformer to the connection on the QuadPro SST. Turn the cold water supply on by hand rotating the shutoff valve handle in the counter-clockwise direction and ensure the John Guest valve will allow flow to the unit. Check for leaks around the raw water connections, including the John Guest valve and the raw water input on the unit.



10 PLUG UNIT IN TO POWER SOURCE

Plug unit into the designated power supply. The pump will begin to run and will initiate its startup cycle. During startup, water will run to the drain. The startup cycle will last for approximately sixteen minutes. Once the pump stops making noise and water stops running to the drain, the startup cycle is complete.

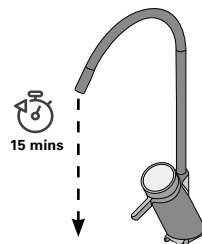
Ensure that the indicator lights are white for each filter cartridge. For more information on the indicator lights, see page 11.

NOTE: Prior to plugging unit in, ensure that all water connections have been made and are secure. Plugging the unit in activates the pump and may result in significant water leakage if all connections are not made.

11 CLEAR WATER LINE

Turn the RO faucet on and let run for a full fifteen minutes. Ensure that no air pockets are observed following the fifteen minutes of run-time.

Once complete, shut off the RO faucet and do a final check for leaks, inspecting each of the connections. If no leaks are present, position the unit in its final location.



INSTALLATION

1 INSTALL FAUCET BASE ASSEMBLY

Using a 2.5mm Allen wrench, remove and set aside the hex bolt on the rear of the faucet base assembly.

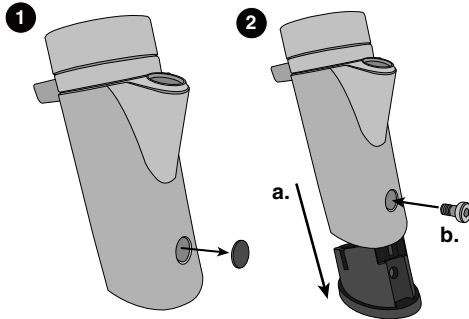
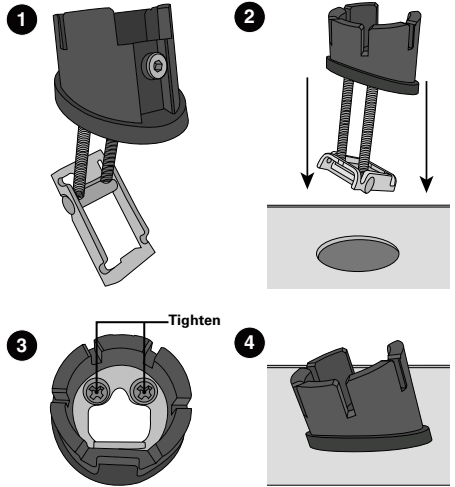
If the sink does not have an existing 0.8-1.2 inch hole pre-drilled, such as for an existing spray attachment hole, the sink top will need to be drilled.

Note: If the sink has a pre-drilled hole of a larger diameter than instructed to drill herein (0.8-1.2 inch), it is necessary to purchase a suitable escutcheon or cover plate adequate for the pre-drilled hole. Such a part/kit is not included in the IAPMO certification of this system to CSA B483.1

Insert the faucet base assembly into the designated hole on the sink top. Orient the faucet base assembly so its rear (where the hex bolt was removed) is facing away from the sink.

Using a Phillip's screwdriver, tighten the two screws visible on the top of the faucet base assembly.

Once the screws are tightened, the faucet base assembly should rest snugly, without any "give" or movement.



2 INSTALL FAUCET ONTO BASE ASSEMBLY

Remove the rubber screw cap from the rear of the faucet and set aside. Insert the power cord connected to the faucet through the center of the faucet base assembly. Slide the faucet onto the base assembly in the orientation shown and push down until fully inserted.

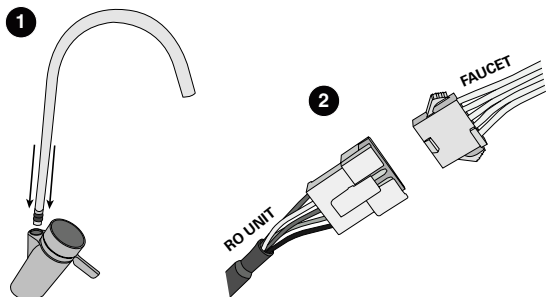
Using a 2.5mm Allen wrench, insert and tighten the hex screw into the faucet base assembly. Replace the rubber screw cap.

3 CONNECT FAUCET AND POWER

Insert the faucet neck into the faucet handle. Push down until the faucet neck is seated properly.

Connect the power cord that was previously run through the faucet base to the power cord on the rear of the RO unit.

Following power connection, the faucet installation is complete. Return to step 6 on page 6.



INSTALLATION

PRESSURE TRANSDUCER INSTRUCTIONS (OPTIONAL)

The included powered faucet communicates with the QuadPro SST unit in one important way.

- It signals the reverse osmosis unit to turn on the pump when the tap is opened.

For installations that are not using the included dispensing faucet, a pressure transducer has been included. This transducer replaces the first function of the QuadPro SST faucet by turning on the pump when water is drawn through it. The following instructions detail the installation of the transducer only.

1 CONNECT THE PRESSURE TRANSDUCER

Ensure that the unit is not connected to a power source.

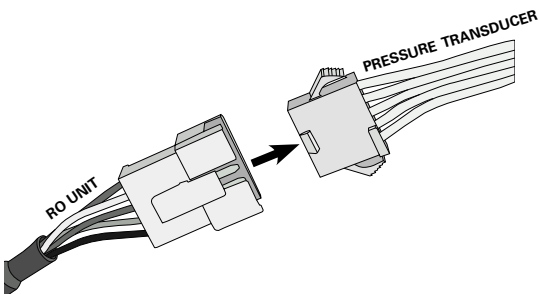
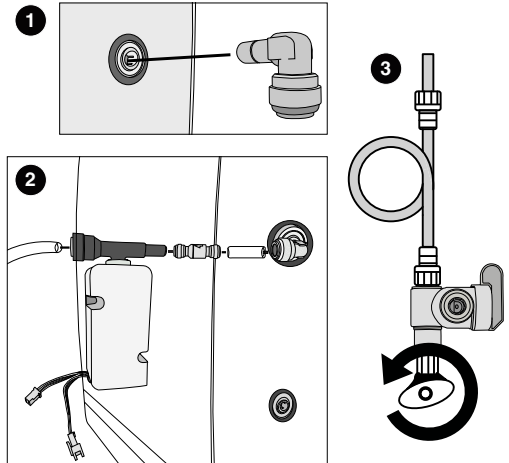
Insert an included 3/8" fitting elbow into the pure water quick connect port on the rear of the unit. Insert an end of 3/8" white product tubing into the fitting elbow and cut the other end to length (it is recommended to keep this line between 10 - 12 inches).

Insert the other end of tubing into the included check valve (ensure that the arrow on the check valve is facing away from the unit and towards where the pressure transducer will be added).

Insert the 3/8" end of the pressure transducer into the check valve.

Insert the 3/8" tubing connected to the faucet into the end of the pressure transducer.

Turn the cold water supply on by hand turning the shutoff valve in the counter-clockwise direction. Check for leaks in the pressure transducer connections.



2 CONNECT POWER SUPPLY

Insert the power connector on the rear of the RO unit into the corresponding connector on the pressure transducer.

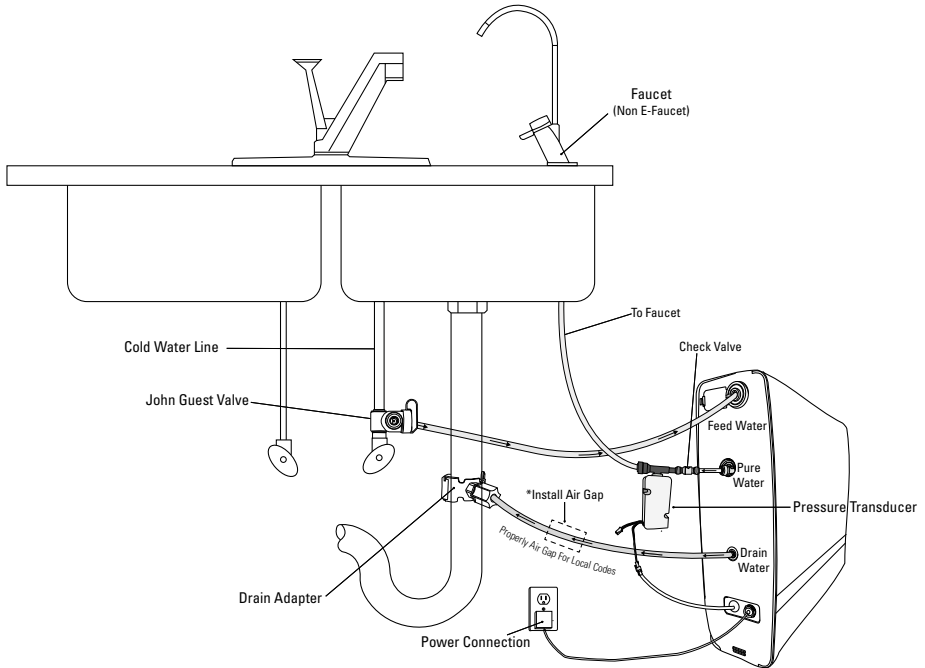
INSTALLATION

3 MOUNT THE PRESSURE TRANSDUCER

With all of the connections made, the pressure transducer may be mounted on the side of the unit using the included adhesive pad (recommended).

Installation is now complete. Continue to step 7 on **page 6**.

INSTALLATION DIAGRAM WITH PRESSURE TRANSDUCER



*Air gap must be two pipe diameters or 1 inch (25mm), whichever is larger.

4 CHECK ELECTRICAL REQUIREMENTS

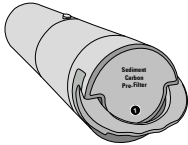
This system requires the following voltage and frequency: 120V/60Hz. Please ensure it is connected to an outlet.

CARE AND MAINTENANCE

FILTRATION CARTRIDGES

Filtration cartridges must be replaced regularly in order to maintain a consistent output of quality water. The information below details the purpose of each component and gives a general replacement schedule through normal recommended use.

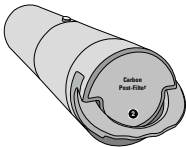
Recommended replacement schedules may vary depending on the quality of the untreated input water, the presence of water pre-treatment equipment, or volume of water used.



PRE-COMPOSITE FILTER

Reduces precipitated matter from water, such as rust, sediment, chlorine, and other materials.

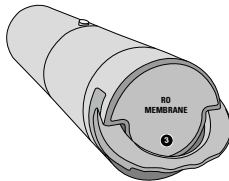
Replace every 12 months.



POST-COMPOSITE FILTER

"Polishes" water after running through the reverse osmosis membrane. Reduces odors and improves taste of water.

Replace every 12 Months



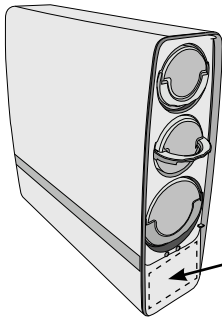
REVERSE OSMOSIS MEMBRANE

Reduces common chemical contaminants

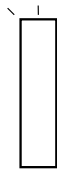
Replace every 48 Months

CARTRIDGE LIFE INDICATOR

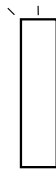
The QuadPro SST unit features indication lights which signal the need for cartridge replacement. These lights may be observed on the front of the unit in the position shown below. The included E-Faucet also has a cartridge life indicator. The signals are as follows:



PRE-COMPOSITE CARTRIDGE



POST-COMPOSITE CARTRIDGE

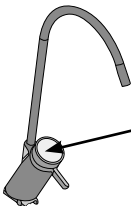


RO CARTRIDGE

WHITE LIGHT - Indicates that the cartridge is in normal, working order.

ORANGE LIGHT - Indicates that the cartridge is nearing the need for replacement.

RED LIGHT - Indicates that the cartridge has expired and must be replaced.



REPLACEMENT FILTERS & PARTS

Contact your local dealer for replacement filters and parts, or contact Water-Right (1-800-777-1426) for the dealer nearest you.

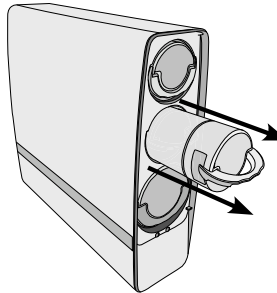
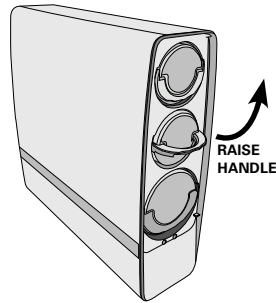
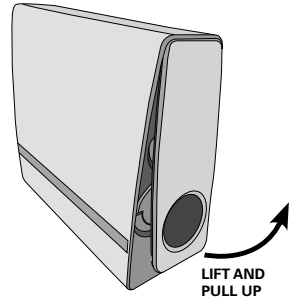
CARE AND MAINTENANCE

FILTER CARTRIDGE REPLACEMENT INSTRUCTIONS

1 REMOVE FACEPLATE

Ensure that the reverse osmosis unit is still plugged in and powered up. Remove the front faceplate of the unit by lifting up on the bottom of the magnetized faceplate connector and pulling upwards. Set aside the faceplate.

Upon removing the faceplate, wait for approximately one minute for the unit to discharge pressure. The cartridge indicator will flash while de-pressurization occurs. Once the indicator has stopped flashing, move to the next step.



2 REMOVE CARTRIDGE

Lift the handle on the cartridge in need of replacement until it is fully horizontal to unlock the cartridge. The cartridge will make a “click” sound once disengaged using the handle. Pull the cartridge out of the unit and discard.

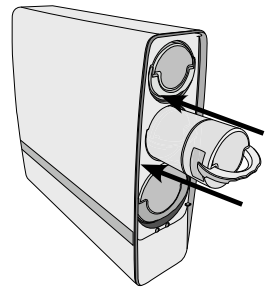
Note: Disengaging the cartridge lock via the handle may require some force. Lift firmly on the handle to disengage.

3 INSTALL NEW CARTRIDGE

Remove the counter-fit protection sticker on the cartridge to reveal the verification decal underneath.

Insert the replacement cartridge into the unit by pressing the cartridge until an audible “click” sound is heard. Observe the cartridge indicator and wait until the indication light turns white for the cartridge that has been replaced. Once the indicator light turns white, replace the faceplate.

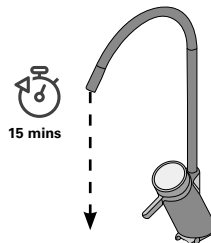
Note: If the indicator light does not turn white after replacing the cartridge, remove the cartridge and reinstall.



4 TEST WATER FLOW

Turn on the e-faucet and check water flow.

Following replacement of the pre-composite filter or the post-composite filter, turn on the e-faucet and let run for fifteen minutes prior to use.



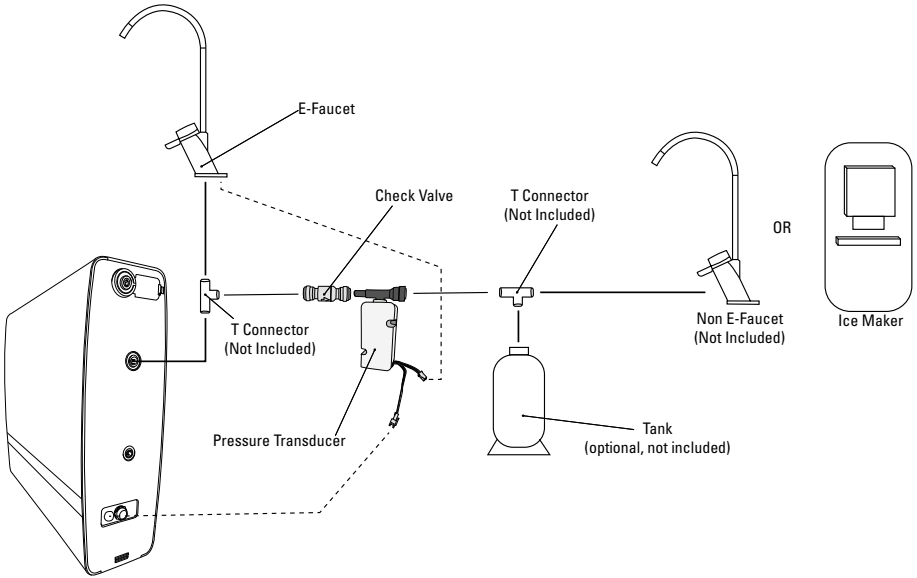
TROUBLESHOOTING

PROBLEM	CAUSE	CORRECTION
The unit does not start.	A. The power is not connected.	A. Ensure that the power transformer is firmly plugged into the rear of the unit and connected to the power supply.
	B. The front cover plate is not installed or is not installed in place.	B. Remove and reinstall correctly. Check that the bottom magnets of the cover are engaged.
	C. The inlet solenoid valve is faulty.	C. Contact manufacturer for repair or replacement.
	D. The power adapter is faulty.	D. Check power adapter for damage and replace if required.
	E. The main board has no output voltage.	E. Check output voltage and contact manufacturer for repair or replacement if required.
Low or no purified water flow from the unit.	A. The post-composite filter cartridge is blocked.	A. Replace the post-composite filter cartridge.
	B. The reverse osmosis filter cartridge is blocked.	B. Replace the reverse osmosis filter cartridge.
	C. Inlet water solenoid valve has failed.	C. Contact manufacturer for repair or replacement.
	D. Pump loses pressure.	D. Contact manufacturer for repair or replacement.
	E. The filter screen in the feed water port is blocked.	E. Clean or replace the filter screen if required.
The faucet screen does not display.	A. The faucet cable is not connected.	A. Examine and reconnect faucet power connections.
	B. The faucet display has failed.	B. Replace the faucet.
Pump works normally but no purified water flows from unit.	A. Pump loses pressure.	A. Contact manufacturer for repair or replacement.
	B. Inlet water solenoid valve has failed (no pure and drain water at the same time).	B. Contact manufacturer for repair or replacement.
	C. The post-composite filter cartridge is blocked.	C. Replace the post-composite filter cartridge.
	D. The reverse osmosis filter cartridge is blocked.	D. Replace the reverse osmosis filter cartridge.
	E. The main board is faulty.	E. Contact manufacturer for repair or replacement if required.
No purified water production but water still flows to drain.	A. The inlet solenoid valve is faulty.	A. Contact manufacturer for repair or replacement.
When unit is powered on and the faucet is opened, no water is produced, the screen flashes, and the buzzer alarms.	A. The front cover plate is not installed or is not installed in place.	A. Remove and reinstall correctly. Check that the bottom magnets of the cover are engaged.
	B. The front cover plate has lost a magnet piece.	B. Examine the front cover and ensure that both magnet pieces are in place.
	C. Inductive sensor is faulty or not installed in place.	C. Contact manufacturer for repair or replacement.
Following installation and first time powering on, the faucet logo displays a red icon.	A. Water has come in contact with faucet cable connection terminal.	A. Blow dry the faucet cable connection terminal.
	B. Faucet cable is not connected in place or is faulty.	B. Inspect and reconnect faucet connections or Contact manufacturer for repair or replacement.

ADDITIONAL INSTALLATION CONFIGURATION

The Quadpro SST includes components for an under-sink installation in conjunction with its included E-Faucet. Additional installation configurations are possible, but should only be performed by professional installers.

The diagram below details an alternative installation configuration for installation of a second, non E-faucet or ice maker.



ELECTRICAL REQUIREMENTS

- This system uses the following voltage/frequency: 120V/60Hz.
- This system must be plugged into an outlet.

PERFORMANCE DATA

IF-QPRO SPECIFICATIONS

Replacement cartridges:

- Pre-Composite Filter (100372969)
- Post-Composite Filter (100372968)
- Reverse Osmosis Membrane Cartridge (100372966)

Overall Dimensions (inches): 17.5L/5.5W/16.9H

Rated service flow: .45gpm

Max capacity: 731gpd

Min working pressure: 40 psi

Max working pressure: 80 psi

Min operating temperature: 39.2 °F (4 °C)

Max operating temperature: 100 °F (38 °C)

This system has been tested according to NSF/ANSI 58 for reduction of the substances listed below. The concentration of the indicated substances in water entering the system was reduced to a concentration less than or equal to the permissible limit for water leaving the system, as specified in NSF/ANSI 58.



Filter is only to be used with cold water.



Filter usage must comply with all state and local laws.



Testing performed under standard laboratory conditions, actual performance may vary.



Read owner's manual for general installation conditions and needs, as well as manufacturer's limited warranty.

Contaminant	Influent Challenge Concentration (mg/L)	Maximum Permissible Product Water Concentration (mg/L)	Average % Reduction
Arsenic Pentavalent	0.050 ± 10%	0.01	97.80%
Barium	10.0 ± 10%	2.0	98.91%
Cadmium	0.03 ± 10%	0.005	95.41%
Chromium III	0.3 ± 10%	0.1	98.41%
Chromium VI	0.3 ± 10%	0.1	98.60%
Copper	3.0 ± 10%	1.3	99.02%
Fluoride	8.0 ± 10%	1.5	95.00%
Lead	0.15 ± 10%	0.005	99.80%
Nitrate/Nitrite (both as N)	30.0 ± 10%	10.0	Nitrate = 86.1% Nitrite = 82.4%
Nitrate (as N)	27.0 ± 10%	10.0	
Nitrate (as N)	3.0 ± 10%	1.0	
Selenium	0.1 ± 10%	0.05	98.90%
TDS	750 ± 40 mg/L	187	92.40%
Turbidity	11 ± 1 NTU	0.5 NTU	97.91%

This system conforms to NSF/ANSI 58 for the specific performance claims as verified and substantiated by test data. All contaminants reduced by this filter are listed. Not all contaminants listed may be present in your water. Does not remove all contaminants that may be present in tap water.

Reduction & Ratings

Average TDS Reduction	92.40%
Recovery Rating	74.50%
Daily Production	731gpd

This system is acceptable for treatment of influent concentrations of no more than 27 mg/L nitrate and 3 mg/L nitrite in combination measured as N and is certified for nitrate/nitrite reduction only for water supplies with a pressure of 40 psi or greater.



C US

System Tested and Certified by WQA to NSF/ANSI Standard 58 and CSA B483.1 for the reduction of the claims specified on the Performance Data Sheet and at www.WQA.org.



Do not use with water that is micro-biologically unsafe or of unknown water quality without adequate disinfection before or after system.

CARE AND SAFEGUARDS

RECOVERY RATING:

Recovery rating is the percentage of the influent water to the membrane portion of the system that is available to the user as reverse osmosis treated water when the system is operated without a water tank or when the water tank is bypassed. The system's recovery rating was verified by testing in accordance with Section 6.8 found in NSF/ANSI 58.

RECOMMENDED CARE:

This reverse osmosis system contains a replaceable treatment component that is critical for the effective reduction of total dissolved solids. It is recommended to periodically test this reverse osmosis system to verify it is performing properly.

This reverse osmosis system contains a replaceable component critical to the efficiency of the system. Replacement of the reverse osmosis component should be with one of identical specifications, as defined by the manufacturer, to ensure the same efficiency and contaminant reduction performance.

RECOMMENDED SAFEGUARDS:

- Do not install this system where the line pressure may exceed 80 psi. The operating pressure range for this system is between 40 and 80 psi.
- Install on COLD water lines only.
- It is recommended that your system be installed inside and out of direct sunlight. The system must be protected from both direct sunlight and freezing temperatures.
- System and installation shall comply with applicable state and local laws.
- Do not operate without the filters installed.
- Do not use with water this is microbiologically unsafe or of unknown water quality without adequate disinfection before or after the system.
- Nitrate/Nitrite test kit included with the system. See the test kit for sampling instructions. Recommended to test yearly to ensure system is working properly.

IF-QPRO SPECIFICATIONS	
Membrane TDS Reduction:	83.8% minimum
Membrane TDS Reduction:	92.4%+ average
Max TDS:	1,000 ppm
Max Water Hardness @ 6.9 pH = 10 gpg (2.64 gpL)	
Max Chlorine in Water:	3 ppm
Supply Water pH Limits:	4-10
Drain (Reject Water) Flow:	2-4x product flow
Supply Water Pressure Limits:	40-80 psi (172-551 kPa)
Supply Water Temperature Limit:	40-100° F (4.4-37° C)

REPLACEMENT PARTS	
CURRENT PART #	DESCRIPTION
100372965	QuadPro SST Tankless RO System
100379239	QuadPro Power Supply
100372970	QuadPro RO E-Faucet
100372971	QuadPro RO Pressure Transducer
100372966	QuadPro RO Membrane
100372968	QuadPro RO Post Filter
100372969	QuadPro RO Pre Filter

- Because the performance of a reverse osmosis membrane is highly dependent upon Pressure, Temperature, and Total Dissolved Solids (TDS), this data should be used for comparison only.
- Lower temperatures are directly proportional to a slower flow rate. The reverse osmosis system should not be installed in a location susceptible to freezing. Incoming water temperature should not exceed 100° F (37.7° C).
- The more TDS in the supplier water, the more filter time required. Incoming TDS should not exceed 1,000 ppm. Higher water pressure enables a higher flow rate. Pressure must be above 40 psi for proper system operation.
- Flow rate and output are determined by three factors:
 1. Incoming water temperature
 2. Total Dissolved Solids (TDS) present in supply water
 3. Incoming water pressure

ARSENIC FACT SHEET

INTRODUCTION:

This system has been tested for the treatment of water containing pentavalent arsenic (also known as As(V), As(+5), or arsenate) at concentrations of 0.05 mg/L or less. This system reduces pentavalent arsenic but may not remove other forms of arsenic. This system is to be used on water supplies containing a detectable free chlorine residual at the system inlet or on water supplies that have been demonstrated to contain only 50 ppb (0.050 mg/L) pentavalent arsenic. Treatment with chloramine (combined chlorine) is not sufficient to ensure complete conversion of trivalent arsenic to pentavalent arsenic. Please see the Arsenic Facts section below for further information.

ARSENIC FACTS:

Arsenic (As) is a naturally occurring contaminant found in many ground waters. Arsenic in water has no color, taste or odor. It is measured by a laboratory test. Public water utilities must have their water tested for arsenic. You can get the results from your water utility. If you have your own well, you can have the water tested. The local health department or the state environmental health agency can provide a list of certified labs. Information about arsenic in water can be found on the internet at the U.S. Environmental Protection Agency website (epa.gov/safewater/arsenic).

There are two forms of arsenic: pentavalent arsenic (As(V), As(+5), and arsenate) and trivalent arsenic (also called As(III), As(+3), and arsenite). Although both forms of arsenic are potentially harmful to human health, trivalent arsenic is considered more harmful than pentavalent arsenic. In water, arsenic may be pentavalent, trivalent, or a combination of both. Special sampling procedures are needed for a lab to determine what type and how much of each type of arsenic is in the water. Check with the labs in your area to see if they can provide this type of service.

If you get your water from a public water utility, contact the utility to find out if free chlorine or combined chlorine is used in the water system. The system is designed to reduce pentavalent arsenic only. It will not convert trivalent arsenic to pentavalent arsenic. This system was tested in a lab. Under testing conditions, the system reduced 0.050 mg/L (ppm) pentavalent arsenic to 0.010 mg/L (ppm) (the USEPA standard for drinking water) or less. The removal performance of pentavalent arsenic of the system may be limited due to water quality conditions (i.e. iron-containing water or other water quality conditions). Have your treated water tested for arsenic to check whether the system is working properly.

The QuadPro Membrane must be replaced every 48 months to ensure system will continue to remove pentavalent arsenic. The component identification is listed in the installation/operation manual.

LIMITED WARRANTY

WHAT IS COVERED:

This limited warranty covers defects in materials or workmanship in manufacturing of your InterFlo QuadPro SST drinking water filter system for the following time periods from date of purchase, except as provided below.

For a period of ONE YEAR	The entire reverse osmosis water conditioning unit.
For a period of FIVE YEARS	<ul style="list-style-type: none">• Power Supply• E-Faucet• Pressure Transducer

WHAT IS NOT COVERED:

This warranty does not cover filter cartridges and any products that were not installed in compliance with the instructions or that have been abused or operated incorrectly. The limited warranty stated herein is in lieu of any and all warranties, express or implied, whether written or oral, including but not limited to the implied warranties of fitness for a particular purpose or the implied warranty of merchantability. The manufacturer shall not be liable for any incidental, consequential, special, punitive, or contingent damages or expenses arising directly or indirectly from any defect or the use of the system, including but not limited to water damage. Owner shall be responsible for all labor and any other expenses related to the removal, repair or installation of the filtration system or any component part. Finally, this warranty is voided if the product is used with parts that are not genuine manufacturer parts.

This includes, but is not limited to: replacement filters, faucets, and diverter valves.

RETURN POLICY ON DEFECTIVE UNITS:

Any part found defective within the terms of this warranty will be repaired or replaced by the dealer. You pay only freight from our factory and local dealer charges. To obtain local warranty service, contact original dealer or an authorized service dealer. If no authorized dealer is located in your area, please ship defective part or component freight prepaid to A. O. Smith Water Treatment, 1900 Prospect Ct., Appleton, Wisconsin 54914. A. O. Smith, at its discretion, will repair or replace the part or component at its expense and return part freight collect.

HOW STATE LAW APPLIES:

Some states do not allow limitations on how long an implied warranty lasts or the exclusion or limitation of incidental or consequential damages, so the above limitations and exclusion may not apply to you. This warranty gives you specific legal rights, and you may also have other rights which vary from state to state.

FURTHER EXCLUSIONS AND LIMITATIONS ON WARRANTY:

This warranty is null and void unless the InterFlo QuadPro SST was purchased and installed from an approved dealer. No dealer, agent, representative, or other person is authorized to extend or expand this limited warranty.



A. O. Smith Corporate | 11270 West Park Place, Suite 170
Milwaukee, WI 53224 | www.aosmith.com